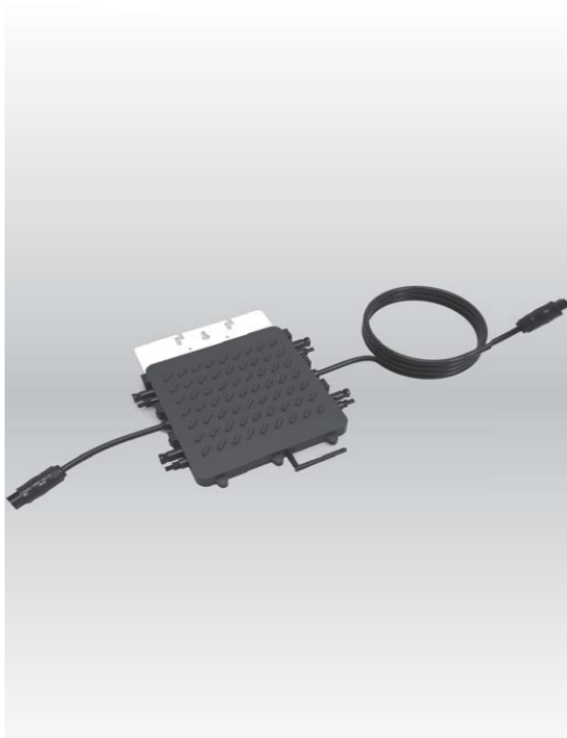




Cloverfour Renewable Energy Solutions

Micro Inverter

SUN1300G2-US-208/240
SUN1200G-230-EU
SUN1300G



Max. Efficiency
96.5%



4 MPPT



Power line/Zigbee
WIFI



IP67
Ingress Protection

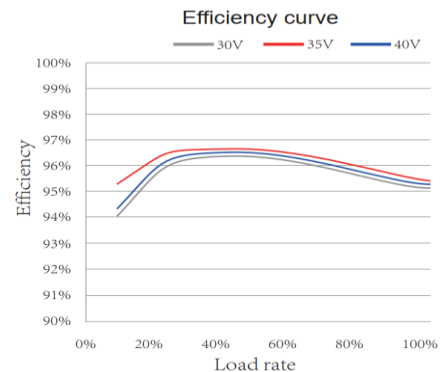
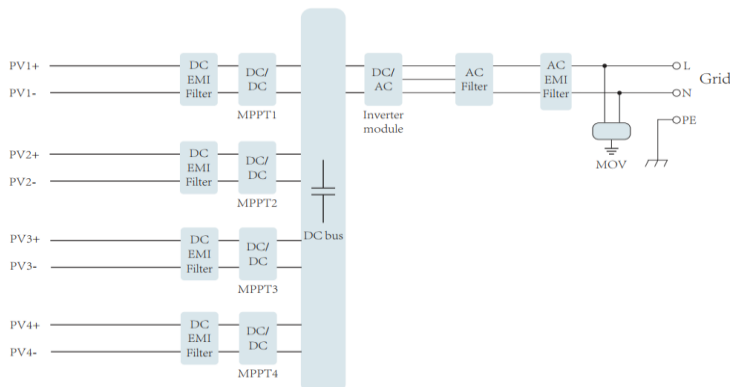


High Power
Factor



High Surge
Endurance

Circuit block diagram



PT Vistana Insinyur Servis

Co. reg. no (NPWP): 03.297.743.1-215.000

Komplek Kemakmuran Mas NO.10,Bengkong Laut,Bengkong, Kota Batam Kepulauan Riau,29428, Indonesia

vistanainsinyurservis@gmail.com

<https://www.cloverfour.org>



Cloverfour Renewable Energy Solutions

Technical Specifications

Input Data (DC)	SUN1200G-230-EU	SUN1300G2-US-208/240	SUN1300G
Recommended input Power (STC)	210 ~ 400W (Pieces)		
Maximum input DC Voltage	60V		
MPPT Voltage Range	25 ~ 55V		
Operating DC Voltage Range	20 ~ 60V		
Max DC Short Circuit Current	13A	13A	14A
Max input Current	10.4 X4		
Output Data (AC)			
Peak output Power	1300W		
Maximum output Power	1300W		
Maximum output Current	4.34A	6.25A/5.416A	5.91A
Nominal Voltage/ Range	184 ~ 265V	208V / 183 ~ 229V / 211 ~ 264V	240V 176 ~ 242V
Nominal Frequency/ Range	50.0 / 47.5 ~ 51.5Hz	60.0 / 59.3 ~ 60.5Hz	60.0 / 59.3 ~ 60.5Hz
Extended Frequency/Range	50.0 / 45 ~ 55Hz	60.0 / 55 ~ 65Hz	60.0 / 55 ~ 65Hz
Power Factor	>0.99		
Maximum units per branch	4		
Efficiency			
CEC Weighted Efficiency	95%		
Peak Inverter Efficiency	96.50%		
Static MPPT Efficiency	99%		
Night Time Power Consumption	50mW		
Mechanical Data			
Ambient Temperature Range	-40 ~ 65°C		
Dimension (W x H x D)	298.5 X 287 X 36 mm (Without mounting bracker and cable)		
Weight (kg)	6.3		
Cooling	Natural convection-No fans		
Enclosure Environmental Rating	IP67		
Features			
Compatibility	Compatible with 60 ~ 72 cell PV modules		
Communication	Power line / WIFI / Zigbee		
Compliance	UL1741, VDE0126, VDE4105, IEC 62109, CE, INMETRO		
Warranty	10 years		